

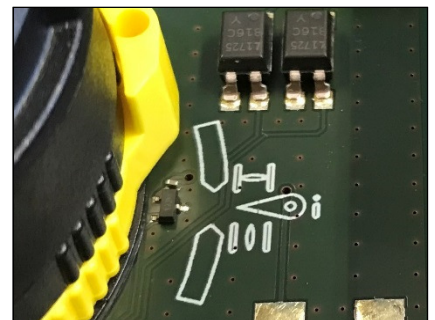
Switch Box SBU Advanced

The Switch box type SBU Advanced is designed for direct mounting to pneumatic actuators according to VDI / VDE 3845 (AA2). It is suitable for mounting on EBRO EBX.1 pneumatic actuators.



General Notes:

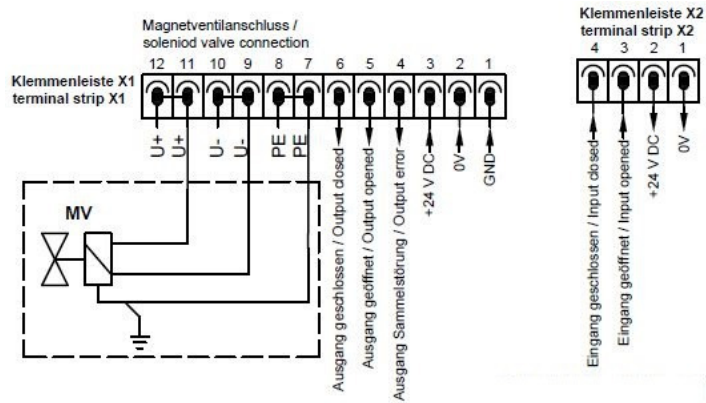
- Direct mounting according to VDI/VDE 3845 AA2, Bracket construction possible
- Microcontroller supported signal processing with fault indication
- Touchless magnetic sensor without wear
- Connection of a solenoid valve with one coil is possible
- Connection of two external sensors is possible (e. g. for linear actuators)
- Small size due to compact design
- Protection against mechanical damage due to sturdy design
- Cover with captive screws
- Spring-type terminals
- Terminal designation on the circuit board
- Wiring diagram in cover
- 360° remote indicator
- Ambient temperature monitoring
- Bluetooth 4.0 LE interface for monitoring, setting the operating parameters by using the EBRO Connect App



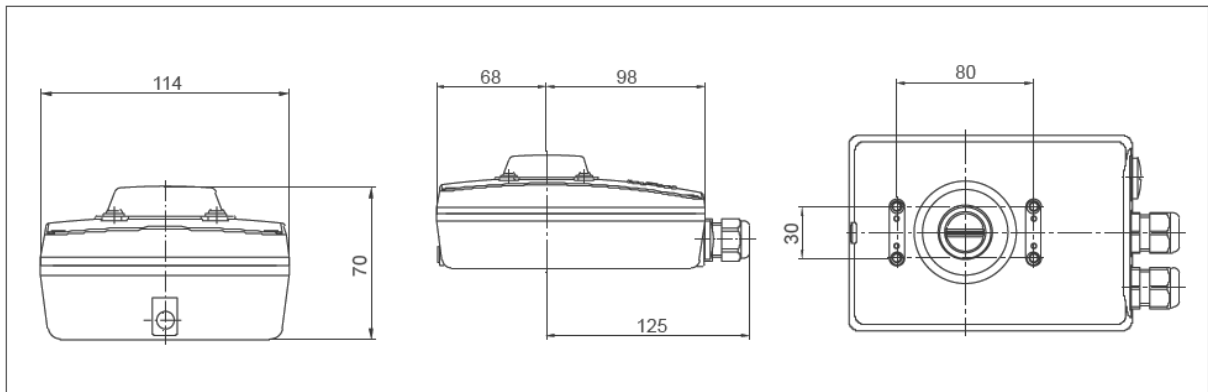
Technical Data:

Typ	SBU-Advanced-XXXX
Housing	Aluminium (powder coated)
Sealing	NBR
Type of connection	Spring-type terminals 2,5mm ²
Protection class	IP 65, IP 67 und IP 68 (without solenoid valve plug)
Temperature range	-20°C bis +70°C
Screws	Stainless steel A4
Adjustment range	Up to 240°
Number of solenoid valve connections	1 (only 24V DC max. 5W)
Sensor	Hall-Sensor
Digital outputs	24V DC digital max. 2W
Power supply	24V DC (±10%)
Current consumption	200mA

Wiring diagram:



Dimensions:



Type cope:

	SBU -	Advanced -	X	X	X	X
Type of screw connections						
Plastic			K			
Metal			M			
Cable gland / electrical connections						
Blind cap				1	1	1
M20x1.5 cable diameter 6-12mm				2	2	2
M20x1.5 cable diameter 5-9mm				3	3	3
Solenoid valve plug type A					4	4
Solenoid valve plug type A with LED and protection circuit 24 V DC					5	5
M12 plug connector					S	
M18 plug connector				M		
Membrane					B	B

Other types available on request